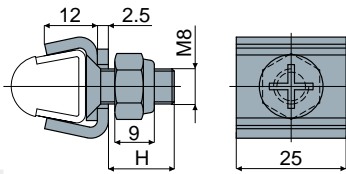


Guide rail clamps

Part. 412 Guide rail clamp



| H | Code |
|----|------------------------|
| 15 | 412 / 84487 |
| 20 | 412 / 87351 NEW |

MATERIALS: Clamp, bolts and nuts made of stainless steel AISI 304.

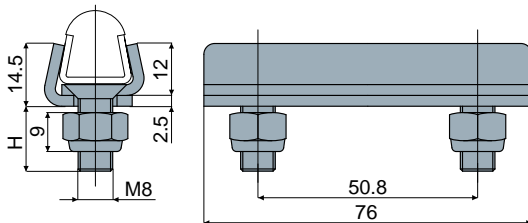
FEATURES: With this item it is possible to use thickness 1,5 and 2 mm guides:
Part.353, 354, 377, 418, 419, 420, 446, 469, 485, 514.

BOX QUANTITY: 24 pieces.

ON REQUEST:

- Box quantity: According to your request.
- Assembly of: Bolts and nuts.

Part. 413 Guide rail clamp (for connection)



| H | Code |
|----|------------------------|
| 15 | 413 / 84488 |
| 20 | 413 / 87361 NEW |

MATERIALS: Clamp, bolts and nuts made of stainless steel AISI 304.

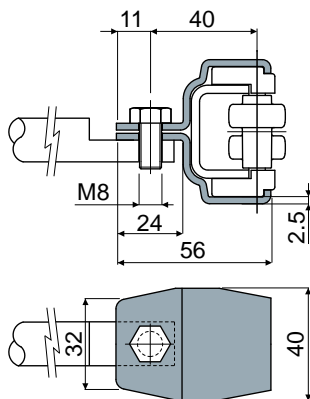
FEATURES: With this item it is possible to use thickness 1,5 and 2 mm guides:
Part.353, 354, 377, 418, 419, 420, 446, 469, 485, 514.

BOX QUANTITY: 24 pieces.

ON REQUEST:

- Box quantity: According to your request.
- Assembly of: Bolts and nuts.

Part. 521 Guide rail clamp (for Part.501, 502)



| Material | Code |
|--------------------------|-------------|
| Zinc plated steel | 521 / 87310 |
| Stainless steel AISI 304 | 521 / 87311 |

MATERIALS: Clamp made in zinc plated steel or in stainless steel AISI 304.

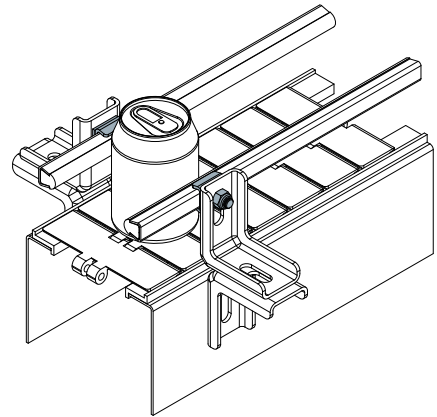
FEATURES: To be used with Part.501, 502. If mounted on double, triple or quadruple type side guides, use a suitable spacer (see drawing opposite).

BOX QUANTITY: 24 pieces.

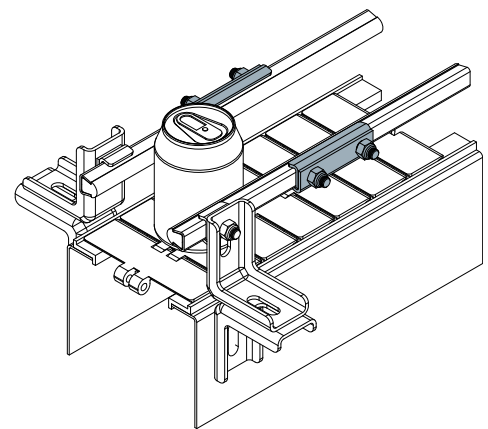
ON REQUEST:

- Box quantity: According to your request.

Example of application

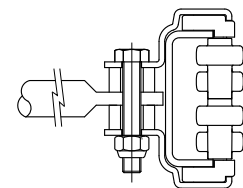


Example of application

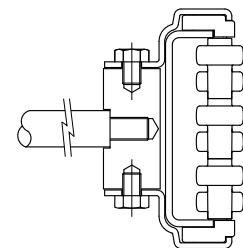


Example of applications

Double type side guide



Triple type side guide



Quadruple type side guide

