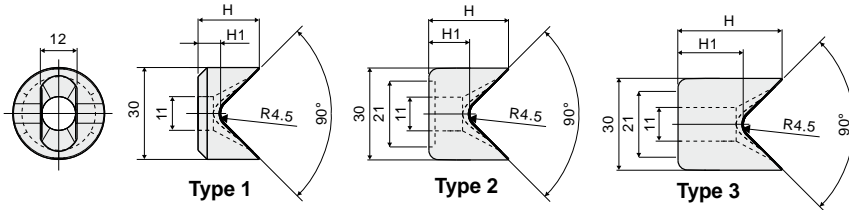


Clamps

Part. 333 Bushing for eyebolt



H (mm)	H1 (mm)	Type 1 Code
20	7,3	333 / 83117
H (mm)	H1 (mm)	Type 2 Code
26	13,3	333 / 83115
H (mm)	H1 (mm)	Type 3 Code
34	21,3	333 / 84025

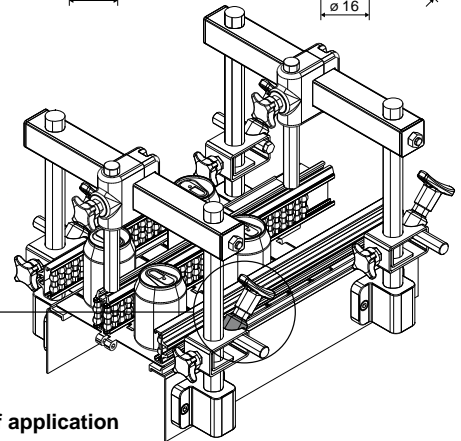
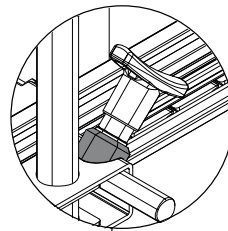
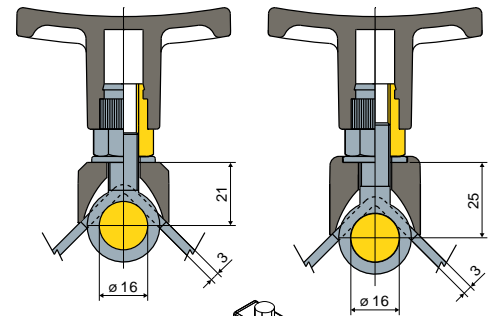
MATERIALS: Bushing made of reinforced polyamide black colour.

FEATURES: To be used with the eyebolts to block the pins holding the transport guides.

BOX QUANTITY: 24 pieces.

ON REQUEST:

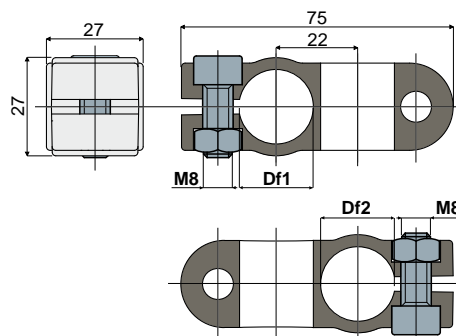
- Bushings: In different colours.
- Box quantity: According to your request.



Example of application

Guide rail clamps

Part. 470 Cross clamp



Bore for pin of		Version with bolts and nuts Code	Version without bolts and nuts Code
Df1 round (mm)	Df2 round (mm)		
16	16	470 / 85598	470 / 86710
16	20	470 / 85599	470 / 86711
20	20	470 / 85600	470 / 86712

MATERIALS: Clamp, bolts and nuts in stainless steel AISI 304.

BOX QUANTITY: 24 pieces.

ON REQUEST:

- Box quantity: According to your request.

Example of application

