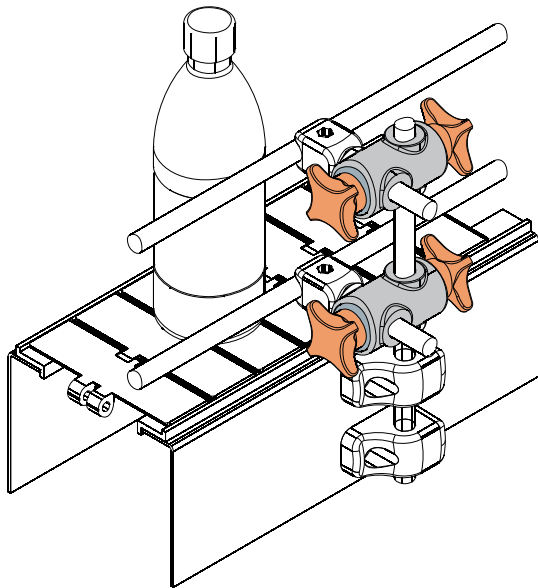
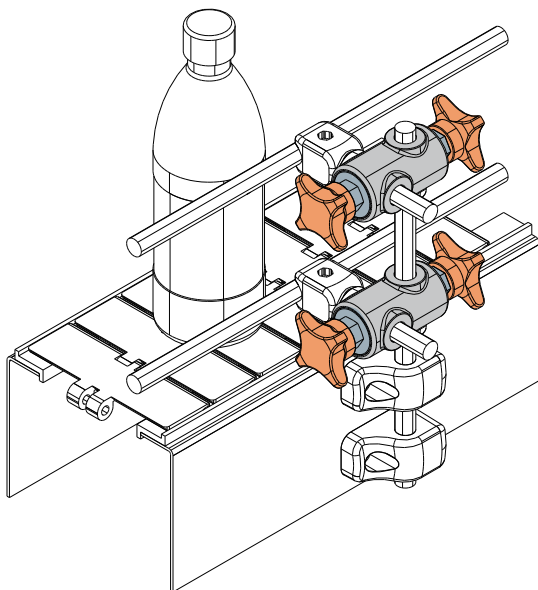


# Clamps

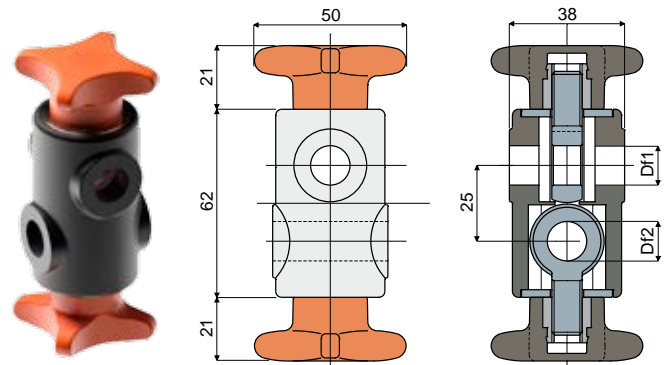
Example of application



Example of application



## Cross block Part. 297



Df1 Bore for pin of (mm)	Df2 Bore for pin of (mm)	Code
12	12	297 / 82658

**MATERIALS:** Housing in reinforced polyamide black colour and knob in reinforced polyamide orange colour; eyebolts in stainless steel AISI 304; threaded insert in nickel plated brass.

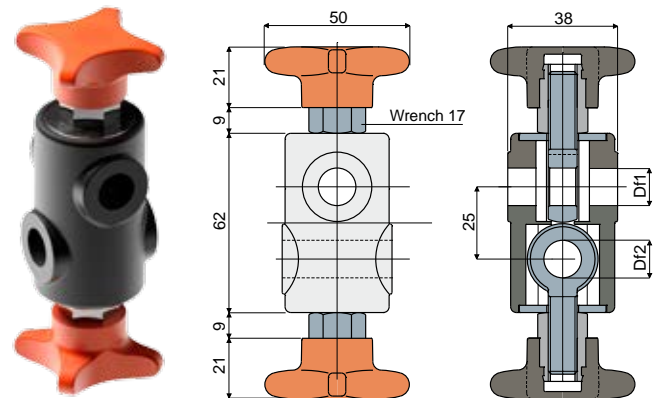
**FEATURES:** To be used to support the rail-holder pins.

**BOX QUANTITY:** 24 pieces.

**ON REQUEST:**

- Housings and Knobs: In different colours.
- Box quantity: According to your request.

## Cross block Part. 312



Df1 Bore for pin of (mm)	Df2 Bore for pin of (mm)	Code
12	12	312 / 82845
12	14	312 / 87811
12	16	312 / 87812
14	14	312 / 82846
14	16	312 / 87813
16	16	312 / 82847

**MATERIALS:** Housing in reinforced polyamide black colour and knob in reinforced polyamide orange colour; eyebolts in stainless steel AISI 304; threaded insert in nickel plated brass.

**FEATURES:** To be used to support the rail-holder pins.

**BOX QUANTITY:** 24 pieces.

**ON REQUEST:**

- Housings and Knobs: In different colours.
- Box quantity: According to your request.