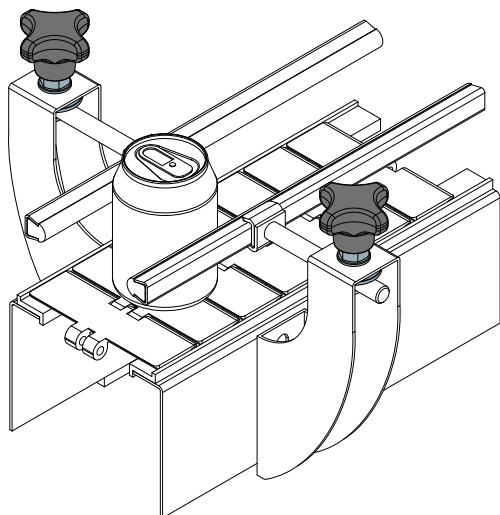


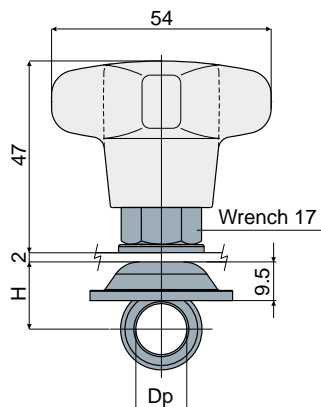
Tightening eyebolts

Example of application



Tightening eyebolt
(with knob)

Part. **406**



Dp Pin diameter (mm)	H (mm)	Code
12	15,5	406 / 84328
14	16,5	406 / 84329
16	17,5	406 / 84330

MATERIALS: Eyebolt and washers made of stainless steel AISI 304, threaded bushing in nickel plated brass; knob in reinforced polyamide black colour.

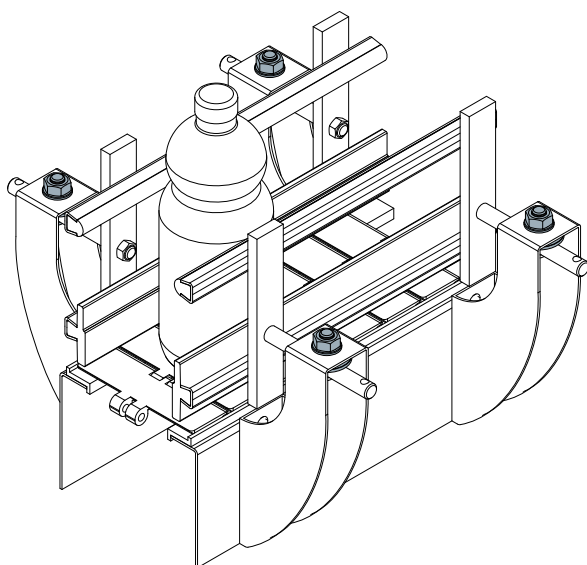
FEATURES: Supplied complete with bolts and nuts.

BOX QUANTITY: 24 pieces.

ON REQUEST:

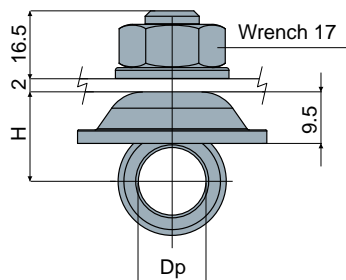
- Assembly of: Eyebolts, washers and nuts.
- Box quantity: According to your request.

Example of application



Tightening eyebolt
(with nut)

Part. **407**



Dp Pin diameter (mm)	H (mm)	Code
12	15,5	407 / 84331
14	16,5	407 / 84332
16	17,5	407 / 84333

MATERIALS: Eyebolt, washers and nuts made of stainless steel AISI 304.

FEATURES: Supplied complete with bolts and nuts.

BOX QUANTITY: 24 pieces.

ON REQUEST:

- Assembly of: Eyebolts, washers and nuts.
- Box quantity: According to your request.