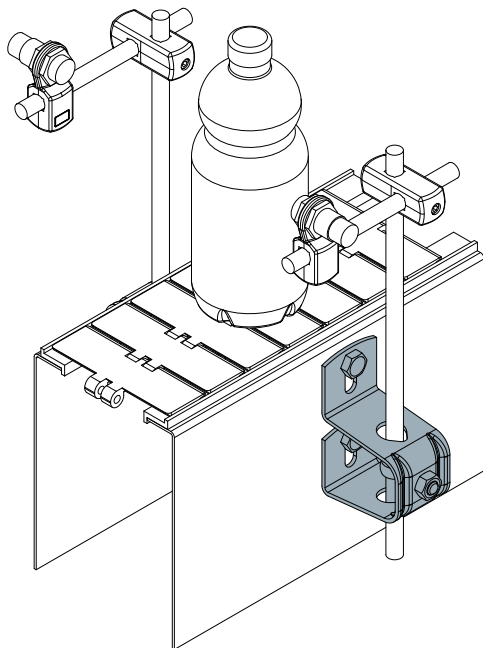


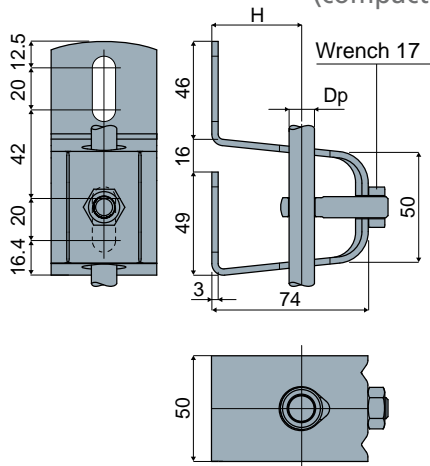
Guide rail brackets

Example of application



Guide rail bracket
(compact version)

Part. **408**



Dp Pin diameter (mm)	H (mm)	Code
12	49	408 / 84337
14	47	408 / 84338
16	46	408 / 84339
20	43	408 / 88698

MATERIALS: Bracket, eyebolt and nut made of stainless steel AISI 304.

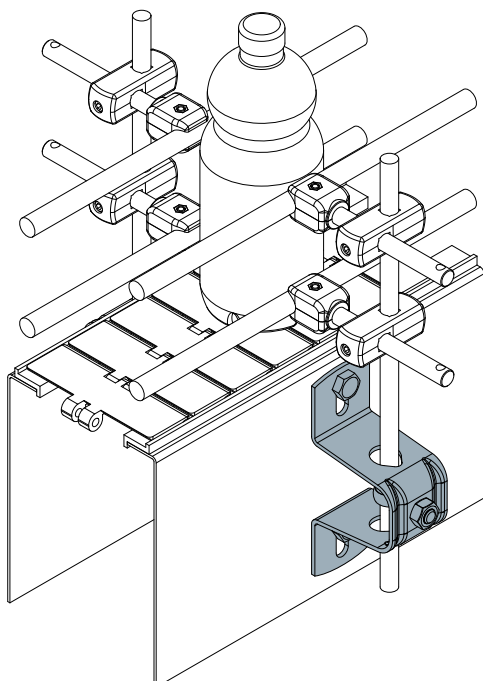
FEATURES: Supplied complete with bolts and nuts.

BOX QUANTITY: 8 pieces.

ON REQUEST:

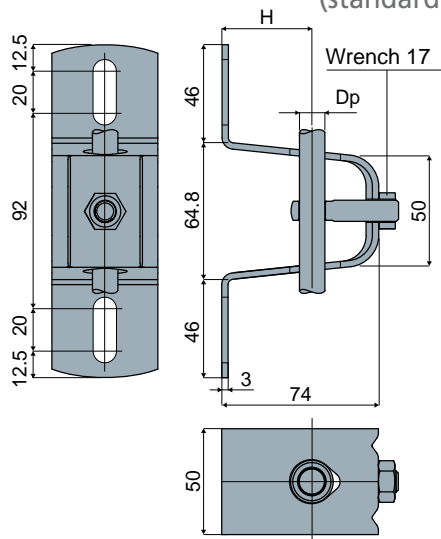
- Assembly of: Eyebolts, nuts.
- Box quantity: According to your request.

Example of application



Guide rail bracket
(standard version)

Part. **408**



Dp Pin diameter (mm)	H (mm)	Code
12	49	408 / 84334
14	47	408 / 84335
16	46	408 / 84336
20	43	408 / 88700

MATERIALS: Bracket, eyebolt and nut made of stainless steel AISI 304.

FEATURES: Supplied complete with bolts and nuts.

BOX QUANTITY: 8 pieces.

ON REQUEST:

- Assembly of: Eyebolts, nuts.
- Box quantity: According to your request.