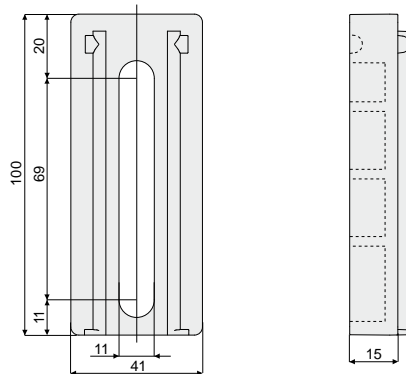


Guide rail brackets

Part. 530 Spacer for bracket



Code
530 / 87752

MATERIALS: Spacer made of reinforced polyamide black colour.

FEATURES: Accessory to be used with brackets Part.215, 218, 219, 220, 242, 243, 244, 255, 280, 281.

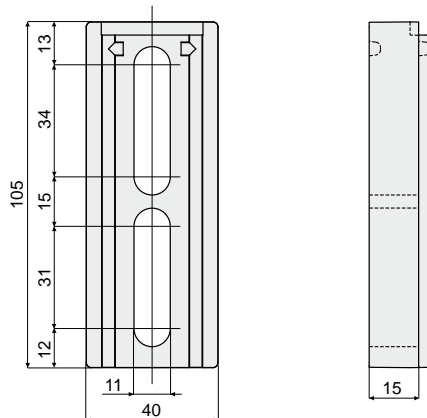
BOX QUANTITY: 24 pieces.

ON REQUEST:

- Spacers: In reinforced polypropylene, in different colours.
- Box quantity: According to your request.

Part. 560 Spacer for bracket

NEW



Code
560 / 90822

MATERIALS: Spacer made of reinforced polyamide black colour.

FEATURES: Accessory to be used with brackets Part.558, 559.

BOX QUANTITY: 24 pieces.

ON REQUEST:

- Spacers: In reinforced polypropylene, in different colours.
- Box quantity: According to your request.