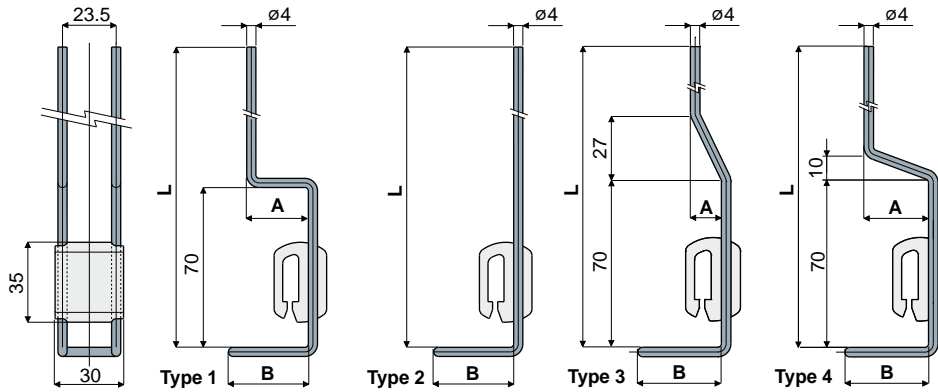


Guide rail brackets

Drip tray support

Part. 236



L (mm)	B (mm)	A (mm)	Type 1 Code
180	35	27	236 / 80779
180	35	17	236 / 81012
230	35	27	236 / 82683

L (mm)	B (mm)	Type 2 Code
200	35	236 / 80780
246	35	236 / 81013

L (mm)	B (mm)	A (mm)	Type 3 Code
250	35	13	236 / 82640

L (mm)	B (mm)	A (mm)	Type 4 Code
280	35	27	236 / 82949

MATERIALS: Support elements made of stainless steel AISI 304; body of coupling made of reinforced polyamide black colour.

FEATURES: To be used to support drip trays.

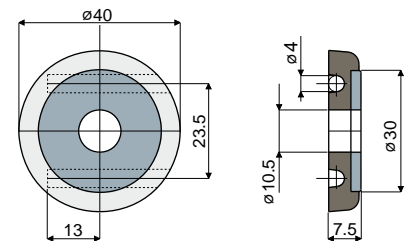
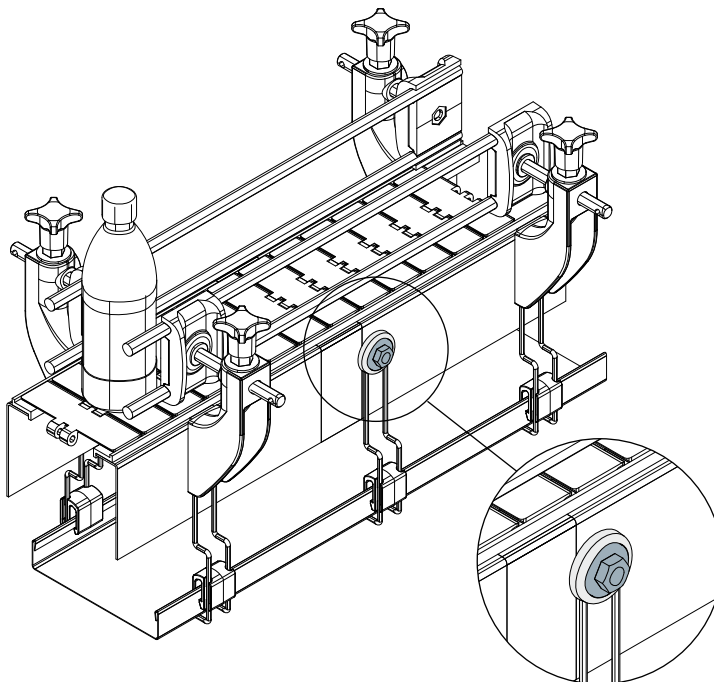
BOX QUANTITY: 24 pieces.

ON REQUEST:

- Drip tray supports: Supplied in different shapes and sizes.
- Box quantity: According to your request.

Mounting plate (for drip tray support)

Part. 235



Code
235 / 80778

Example of application

MATERIALS: Plate made of reinforced polyamide black colour; washer made of stainless steel AISI 304.

FEATURES: For application on conveyor side to fasten drip tray support.

BOX QUANTITY: 24 pieces.

ON REQUEST:

- Box quantity: According to your request.