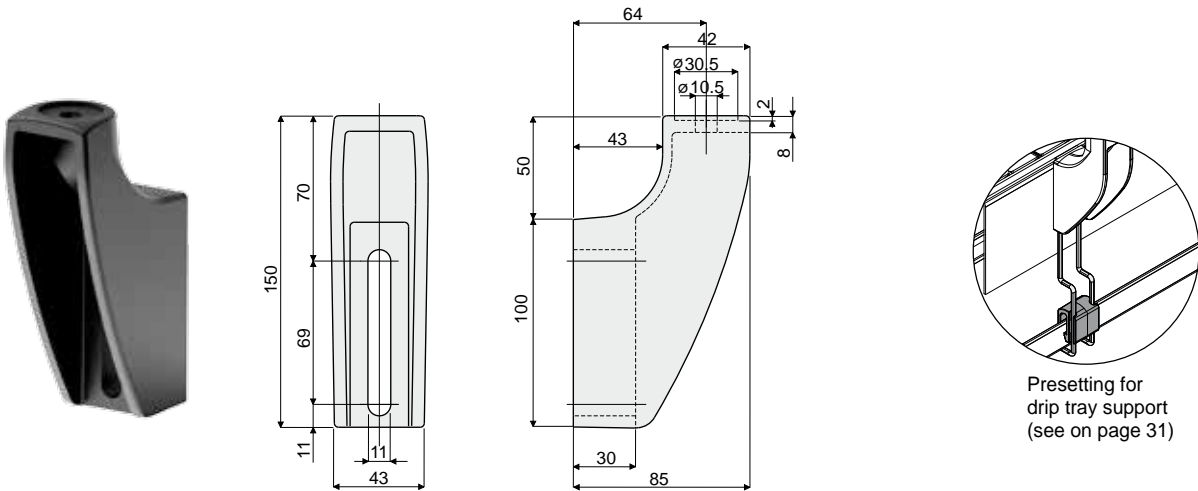


Guide rail brackets

Part. 242 Guide rail bracket (reinforced type for adjustable head)

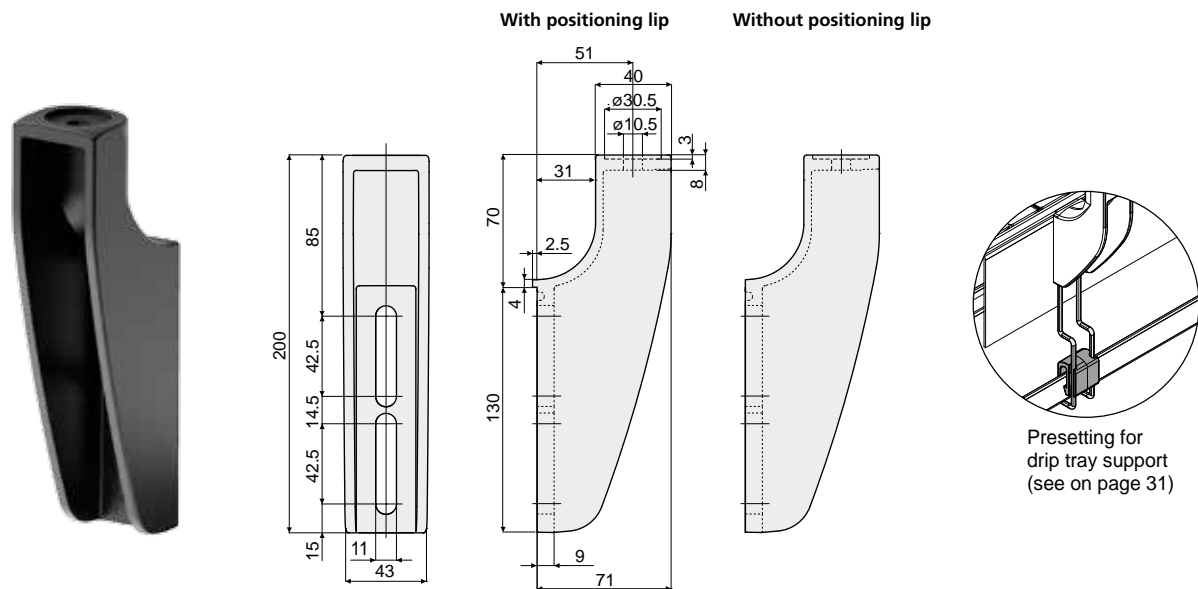


Code
242 / 81002

MATERIALS: Bracket made of reinforced polyamide black colour.
FEATURES: To be used with heads Part.221, 222, 223 and 266 for heavy applications. Suitable in conveyors with more ways, both in accumulation and curve.
BOX QUANTITY: 24 pieces.
ON REQUEST:

- Brackets: In reinforced polypropylene, in different colours.
- Box quantity: According to your request.

Part. 486 Guide rail bracket (reinforced type for adjustable heads)



With positioning lip	Without positioning lip
Code	Code
486 / 86189	486 / 86190

MATERIALS: Bracket made out of reinforced polyamide black colour.
FEATURES: To be used with heads Part.221, 222, 223 and 266.
BOX QUANTITY: 24 pieces.
ON REQUEST:

- Brackets: In reinforced polypropylene, in different colours.
- Box quantity: According to your request.