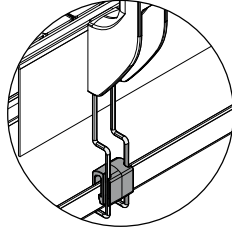


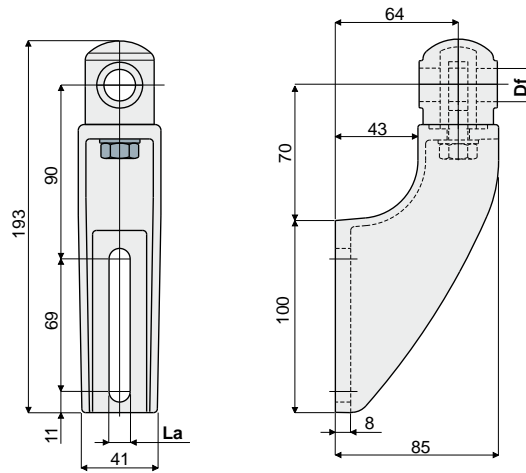
Guide rail brackets

Guide rail bracket (with adjustable head)

Part. **219**



Presetting for drip tray support (see on page 31)



Df Bore for pin of (mm)	La (9 mm slot) Code	La (11 mm slot) Code
12	219 / 82114	219 / 80664
14	219 / 82115	219 / 80665
16	219 / 82116	219 / 80666

MATERIALS: Bracket and head made of reinforced polyamide black colour; eyebolt, nut and washer made of stainless steel AISI 304.

FEATURES: Max tightening torque 4 Kg-m.

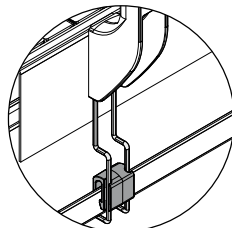
BOX QUANTITY: 24 pieces.

ON REQUEST:

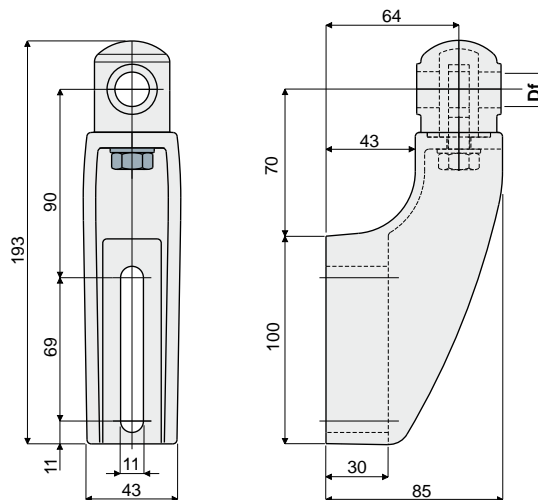
- **Brackets:** In reinforced polypropylene, in different colours.
- **Box quantity:** According to your request.

Guide rail bracket (reinforced type with adjustable head)

Part. **255**



Presetting for drip tray support (see on page 31)



Df Bore for pin of (mm)	Code
12	255 / 81008
14	255 / 81009
16	255 / 81010

MATERIALS: Bracket and head made of reinforced polyamide black colour; eyebolt, nut and washer made of stainless steel AISI 304.

FEATURES: To be used for heavy applications, suitable in conveyors with more ways, both in accumulation and curve. Max tightening torque 4 Kg-m.

BOX QUANTITY: 24 pieces.

ON REQUEST:

- **Brackets:** In reinforced polypropylene, in different colours.
- **Box quantity:** According to your request.