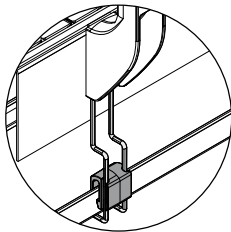


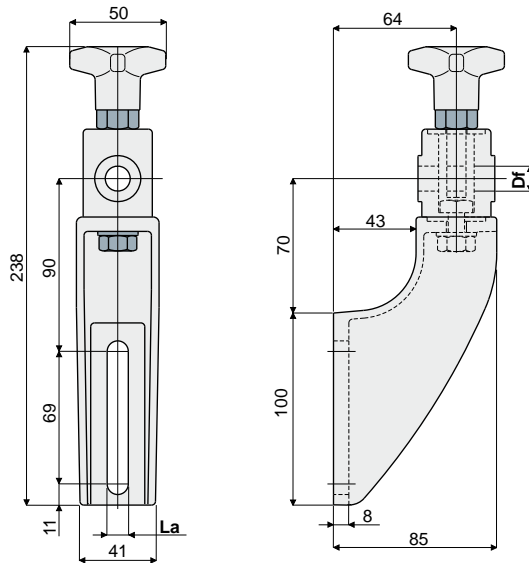
Guide rail brackets

Guide rail bracket (with adjustable head)

Part. **215**



Presetting for drip tray support (see on page 31)



Df Bore for pin of (mm)	La (9 mm slot) Code	La (11 mm slot) Code
12	215 / 82106	215 / 80658
14	215 / 82108	215 / 80659
16	215 / 82110	215 / 80660

MATERIALS: Bracket and knob made of reinforced polyamide black colour; hexagonal insert made of nickel plated brass; eyebolt, screw, nut and washers made of stainless steel AISI 304.

FEATURES: Max tightening torque 4 Kg-m.

BOX QUANTITY: 24 pieces.

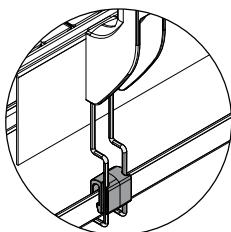
ON REQUEST:

- Brackets: In reinforced polypropylene, in different colours.
- Box quantity: According to your request.

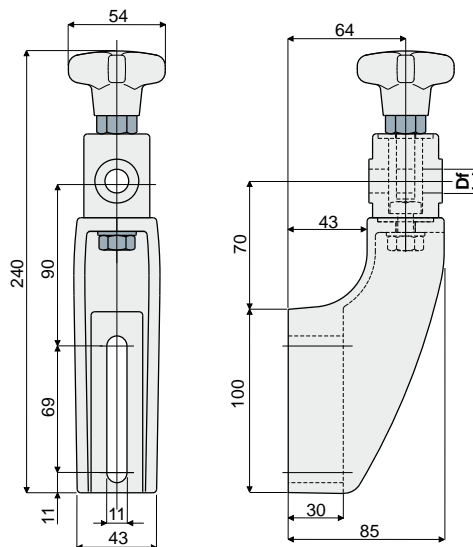
Guide rail bracket

Part. **243**

(reinforced type with adjustable head)



Presetting for drip tray support (see on page 31)



Df Bore for pin of (mm)	Code
12	243 / 81003
14	243 / 81004
16	243 / 81005

MATERIALS: Bracket and knob made of reinforced polyamide black colour; hexagonal insert made of nickel plated brass; eyebolt, screw, nut and washers made of stainless steel AISI 304.

FEATURES: To be used for heavy applications, suitable in conveyors with more ways, both in accumulation and curve. Max tightening torque 4 Kg-m.

BOX QUANTITY: 24 pieces.

ON REQUEST:

- Brackets: In reinforced polypropylene, in different colours.
- Box quantity: According to your request.