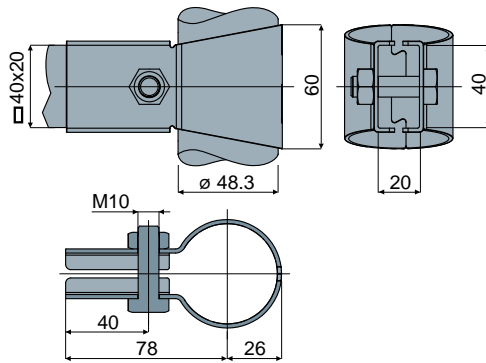


Connecting joints

Part. 403 Connection joint



Code
403 / 84325

MATERIALS: Joint, screw and nut made of stainless steel AISI 304.

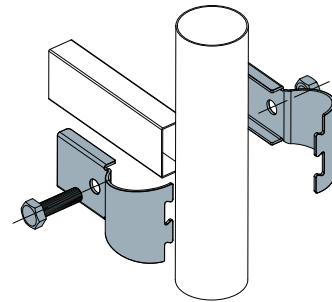
FEATURES: Supplied complete with bolts and nuts.

BOX QUANTITY: 8 pieces.

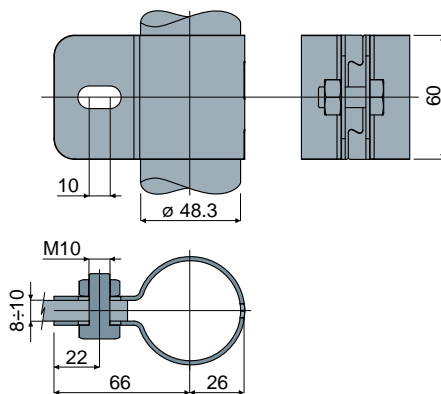
ON REQUEST:

- Assembly of: Bolts and nuts.
- Box quantity: According to your request.

Example of application



Part. 404 Connection joint



Code
404 / 84326

MATERIALS: Joint, screw and nut made of stainless steel AISI 304.

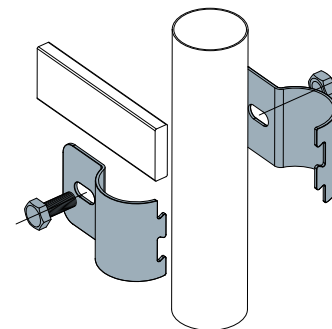
FEATURES: Supplied complete with bolts and nuts.

BOX QUANTITY: 8 pieces.

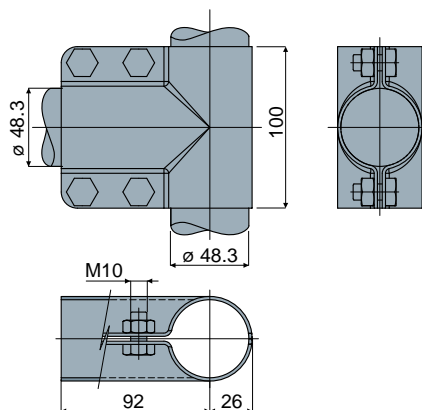
ON REQUEST:

- Assembly of: Bolts and nuts.
- Box quantity: According to your request.

Example of application



Part. 401 Connection joint



Code
401 / 84323

MATERIALS: Joint, screws and nuts made of stainless steel AISI 304.

FEATURES: Supplied complete with bolts and nuts.

BOX QUANTITY: 8 pieces.

ON REQUEST:

- Assembly of: Bolts and nuts.
- Box quantity: According to your request.

Example of application

