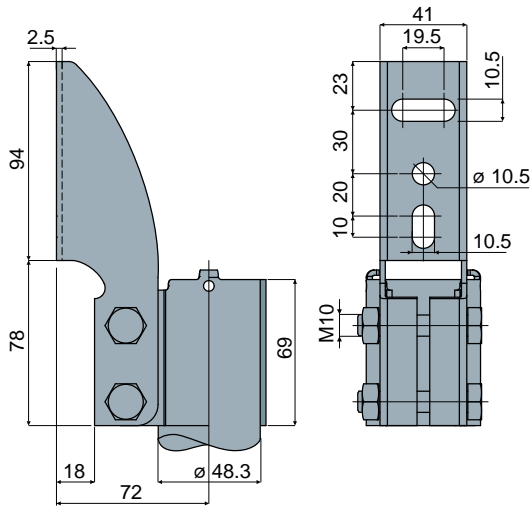


Bearing heads

Part. 409 Side mounting top bracket



Code
409 / 84440

MATERIALS: Top bracket bolts and nuts made of stainless steel AISI 304.

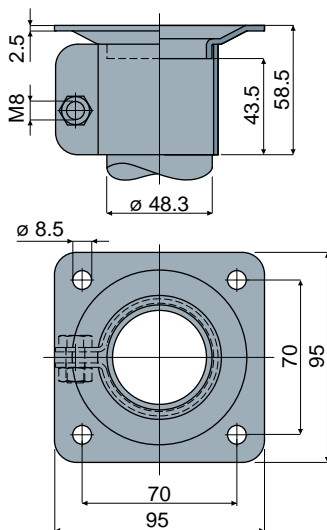
FEATURES: Supplied complete with bolts and nuts.

BOX QUANTITY: 8 pieces.

ON REQUEST:

- Assembly of: Bolts and nuts.
- Box quantity: According to your request.

Part. 402 Bearing head



Code
402 / 84324

MATERIALS: Bearing head bolts and nuts made of stainless steel AISI 304.

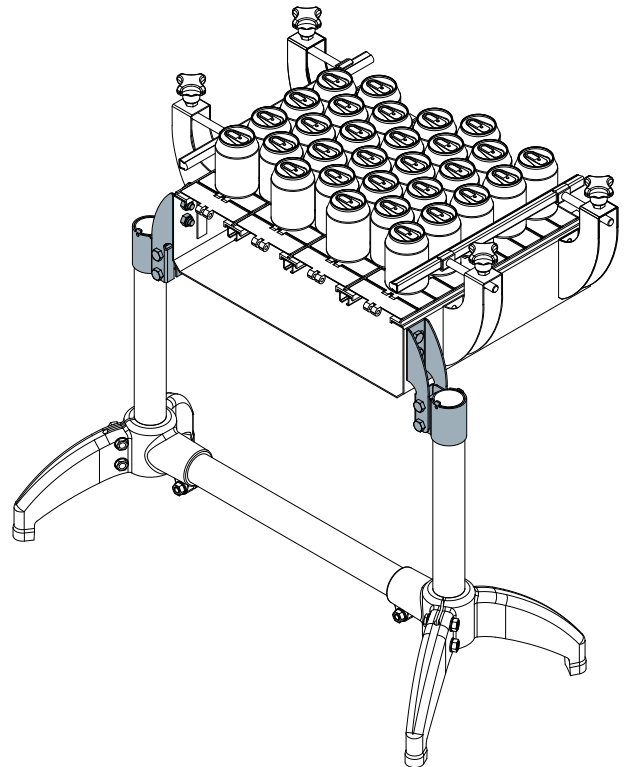
FEATURES: Supplied complete with bolts and nuts.

BOX QUANTITY: 8 pieces.

ON REQUEST:

- Assembly of: Bolts and nuts.
- Box quantity: According to your request.

Example of application



Example of application

