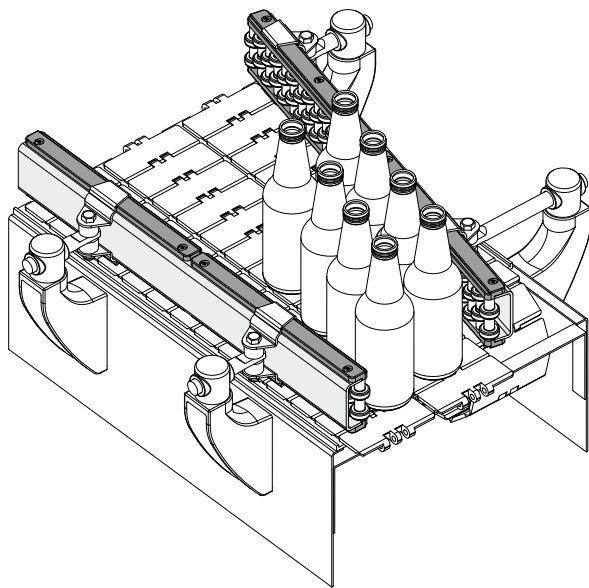
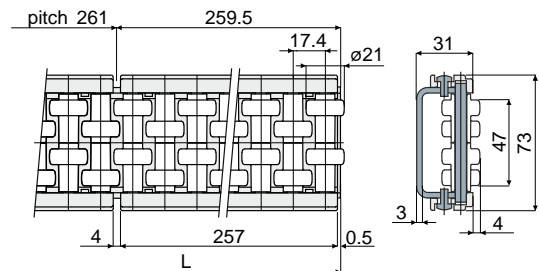


Example of application



Roller side guide with round rollers
(double type, rectilinear)

Part. **501**



L (mm)	Metal profile in zinc plated steel Code	Metal profile in stainless steel AISI 304 Code
1041	501 / 86990	501 / 86991
2085	501 / 86988	501 / 86989
3129	501 / 86986	501 / 86987

MATERIALS: Rollers in acetal white colour; modules in reinforced polyamide black colour; support pins in stainless steel; metal profile in zinc plated steel or stainless steel AISI 304.

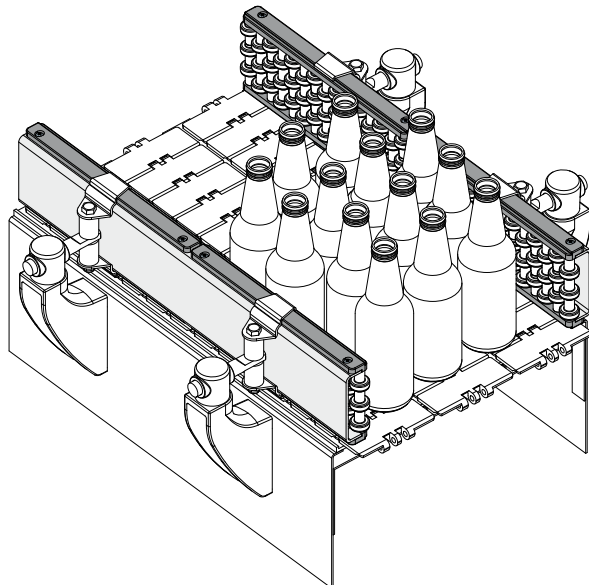
FEATURES: Supplied already assembled.

BOX QUANTITY: 2 pieces.

ON REQUEST:

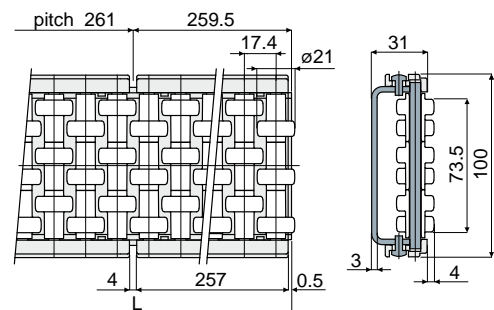
- Module and rollers: can be produced in other colours.

Example of application



Roller side guide with round rollers
(triple type, rectilinear)

Part. **501**



L (mm)	Metal profile in zinc plated steel Code	Metal profile in stainless steel AISI 304 Code
1041	501 / 86996	501 / 86997
2085	501 / 86994	501 / 86995
3129	501 / 86992	501 / 86993

MATERIALS: Rollers in acetal white colour; modules in reinforced polyamide black colour; support pins in stainless steel; metal profile in zinc plated steel or stainless steel AISI 304.

FEATURES: Supplied already assembled.

BOX QUANTITY: 2 pieces.

ON REQUEST:

- Module and rollers: can be produced in other colours.