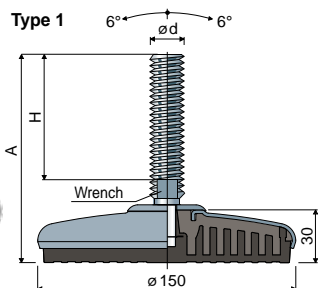


Adjustable feet, sanitizable

(base in stainless steel)

Part. **126** \varnothing **150**



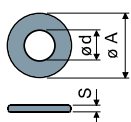
		Type 1						
		Spindle measures in mm			Spindle and base in stainless steel AISI 304			
$\varnothing d$	A	H	Wrench	Black	White	Blue Ral 5005	Max static load (N)	
				anti-slip pad	anti-slip pad	anti-slip pad		
				Code	Code	Code		
M20x2,5	139	89	17	126 / 87345	126 / 87346	126 / 88285	40000	
	157	107	17	126 / 86037	126 / 86042	126 / 88286		
	186	136	17	126 / 86038	126 / 86043	126 / 88287		
	207	157	17	126 / 86039	126 / 86044	126 / 88288		
240	190	17	126 / 86040	126 / 86045	126 / 88289			
288	238	17	126 / 86041	126 / 86046	126 / 88290			
M24x3	145	90	19	126 / 86052	126 / 86056	126 / 88291		
	182	127	19	126 / 86053	126 / 86057	126 / 88292		
	217	162	19	126 / 86054	126 / 86058	126 / 88293		
M30x3,5	257	202	19	126 / 86055	126 / 86059	126 / 88294		
	172	125	24	126 / 86060	126 / 86062	126 / 88295		
	232	185	24	126 / 86061	126 / 86063	126 / 88296		

Material: Internal part made of reinforced polyamide; external covering made of stainless steel AISI 304; anti-slip pad made of thermoplastic rubber 68 Shore black, white or blue Ral 5005 colour.

Box quantity: 8 pieces.

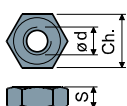
Features: Co-moulded anti-slip pad allows a perfect adherence with steel base. Consequent absence of internal cavities makes foot extremely cleanable. The threaded insert guarantees the protection of the spindle thread.

Washers UNI 6592-69 - Box quantity: 24 pieces.



$\varnothing M$	M20	M24	M30
Smm	3	4	4
$\varnothing A$ mm	37	44	56
Stainless steel codes	7292	7294	7296

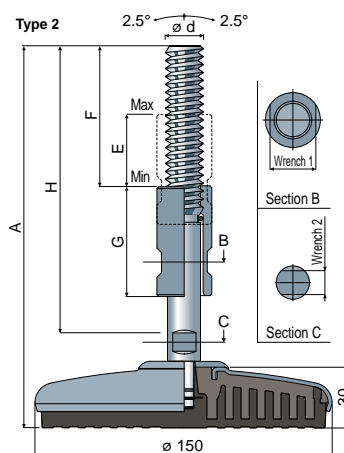
Nuts UNI 5588-65 - Box quantity: 24 pieces.



$\varnothing d$	M20	M24	M30
Smm	16	19	24
Ch. mm	30	36	46
Stainless steel codes	7278	7280	7282

On request

- Spindles with: Sunk hexagon head • second wrench seat head • hexagon wrench seat • threads with other pitches and lengths • stainless steel AISI 316.
- Box quantity: Not standard.
- Assembling of: Nuts • washers.



		Type 2									
		Spindle measures in mm			Spindle and base in stainless steel AISI 304						
$\varnothing d$	A	H	F	E	G	Wrench 1	Wrench 2	Black	White	Blue Ral 5005	Max static load (N)
								anti-slip pad	anti-slip pad	anti-slip pad	
				Code	Code	Code					
M16x2	204	159	73	39	60	22	12	126 / 88056	126 / 88058	126 / 88297	40000
	264	220	100	78	100	22	12	126 / 88057	126 / 88059	126 / 88298	
M20x2,5	204	159	73	39	60	25	13	126 / 86047	126 / 86049	126 / 88299	
	264	220	100	78	100	25	13	126 / 86048	126 / 86050	126 / 88300	
M24x3	204	159	73	39	60	30	17	126 / 88060	126 / 88062	126 / 88301	
	264	220	100	78	100	30	17	126 / 88061	126 / 88063	126 / 88302	