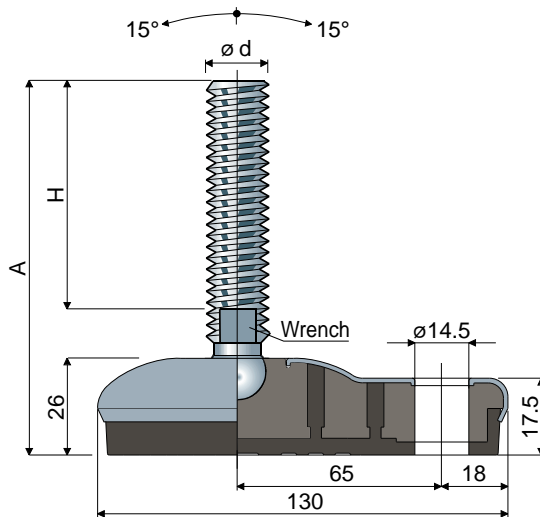


Articulated feet, sanitizable with side fixing system

(base in stainless steel)(base in stainless steel)



95x130 Part. **111**

Spindle measures in mm					
ød	A	H	Wrench	Spindle and base in stainless steel AISI 304 Code	Max static load (N)
M16x2	103	60	13	111 / 83762	22000
	133	90	13	111 / 83763	
	148	105	13	111 / 83764	
	168	125	13	111 / 83765	
	198	155	13	111 / 83766	
	208	165	13	111 / 83767	
M20x2,5	248	205	13	111 / 83768	24000
	134	86	17	111 / 83769	
	164	116	17	111 / 83770	
	189	141	17	111 / 83771	
	209	161	17	111 / 88858 NEW	
M24x3	246	198	17	111 / 83772	26000
	143	96	19	111 / 83773	
	169	122	19	111 / 83774	
	199	152	19	111 / 83775	
M30x3,5	229	182	19	111 / 83776	28000
	347	300	19	111 / 83777	
	188	144	24	111 / 86219	

Spindle measures in inches					
ød	A	H	Wrench	Spindle and base in stainless steel AISI 304 Code	Max static load (N)
5/8" - 11 UNC	8,76"	7"	1/2"	111 / 83778	22000
3/4" - 10 UNC	8,84"	7"	5/8"	111 / 83779	24000

Base material: Internal part made of reinforced polyamide; external covering made of stainless steel AISI 304; anti-slip pad made of thermoplastic rubber 68 Shore black colour.
Box quantity: 8 pieces.

Features: Co-moulded anti-slip pad allows a perfect adherence with steel base. Consequent absence of internal cavities makes foot extremely cleanable.

Washers UNI 6592-69 - Box quantity: 24 pieces.

ø M	M16	M20	M24	M30
Smm	3	3	4	4
ø A mm	30	37	44	56
Stainless steel codes	7291	7292	7294	7296

Nuts UNI 5588-65 - Box quantity: 24 pieces.

ø d	M16	M20	M24	M30
Smm	13	16	19	24
Ch. mm	24	30	36	46
Stainless steel codes	7277	7278	7280	7282

On request

- Spindles with: Sunk hexagon head • second wrench seat head • hexagon wrench seat • threads with other pitches and lengths • stainless steel AISI 316.
- Anti-slip pads: White colour.
- Box quantity: Not standard.
- Assembling of: Nuts • washers.